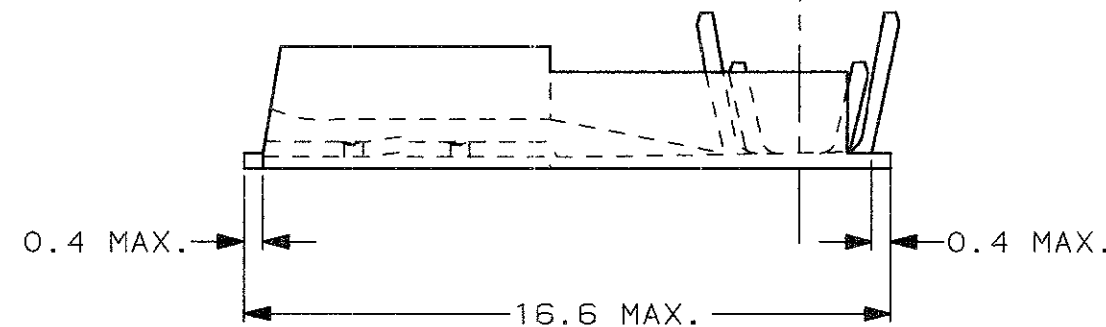
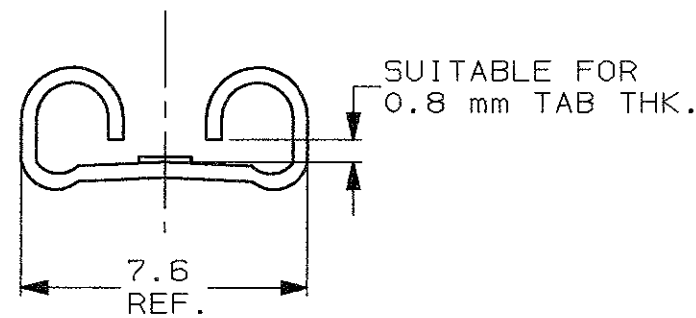
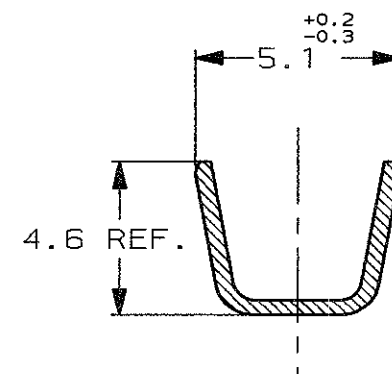
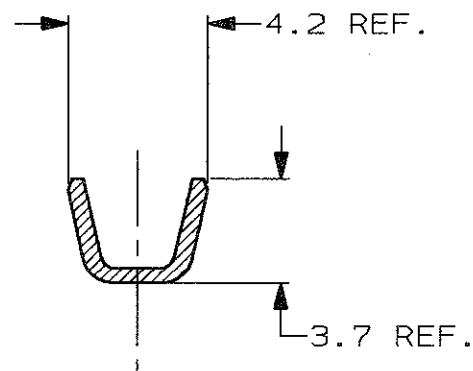


- 1) PER LA VERSIONE IN NASTRO  
VEDERE DISEGNO 180397.  
(FOR STRIP FORM VERSION SEE DRAWING 180397).
- 2) CONFEZIONAMENTO IN ACCORDO  
ALLA SPECIFICA AMP 107-20201.  
(PACKAGE ACCORDING TO AMP SPEC. 107-20201).



SECTION A-A

SECTION B-B



STAGNATO (TIN PLATED)	BRONZO FOSF. (PHOS. BRONZE)	0-180429-5	K
STAGNATO (TIN PLATED)	OTTONE (BRASS)	0-180429-2	K
NUDO (UNPLATED)	OTTONE (BRASS)	0-180429-1	K
FINITURA / COLORE (FINISH / COLOUR)	MATERIALE (MATERIAL)	NUMERO (PART NUMBER)	REV

CUSTOMER DWG. FOR REFERENCE ONLY      DISEGNO PER CLIENTE SOLO PER RIFERIMENTO

THIS DRAWING IS UNPUBLISHED      RELEASE FOR PUBLICATION      19

TOLLERANZE, SE NON DIVERSAMENTE SPECIFICATO (TOLERANCES, UNLESS OTHERWISE SPECIFIED)	DIAM. ISOLANTE (INS. DIA. RANGE)	RANGO FILO (WIRE RANGE)	SCALA (SCALE)
± 0.3	2.5-3.8	1.0-2.5	5:1
ANGOLI (ANGLES)	TE Connectivity		

DIS. 21 JUN 2001 (DR.) H. YAALI      DESCRIZIONE (DESCRIPTION) FASTON® Connector, .250" FLAG REC. CONTACT (LOOSE PIECE VERSION)

CONT. 21 JUN 2001 (CHK) C. TARTARI	LOC. SIZE (DWG NO)	NUMERO (SHEET)	REV.	FOGLIO (SHEET)
	I A3	C-180429	K1	1 DI (OF) 1

K1	REVISED PER ECO-11-005294	RK	07APR 11
REV. (REV. LTR.)	REVISIONI (REVISION RECORD)	DIS (DR)	DATA (DATE)